

SPECIFICATIONS



1" STANDARD QUALITY DOOR

Door

Overall thickness of the 1" Bookroom Door is 6" (153mm). The protective layer consists of a 1" (25mm) steel door plate. The door frame is electrically welded to produce a structure of consistent strength. A fire resistant panel is also fitted to the back of the Door, contributing to better fire resisting properties.

Boltwork

Each Chubb 1" Standard Quality Door comes secured with 6 heavy cylindrical steel bolts on the front edge of the Door. An additional 6 fixed back bolts secure the back edge of the Door. All bolts are 1 1/4" (32mm) in diameter and are chromed to promote resistance against corrosion. All bolts engage behind solid rebates integrated into the door frame when locked. All bolts are linked into a single integrated boltwork system and are encased within a heavy steel lockcase.

Locking

The Door is secured with a single UL Listed Group 2, 3 - wheel Keyless Combination Lock and a Chubb High Security 9-lever double-bitted Keylock as standard. Both locks operate independently of each other.

The Chubb 1" Standard Quality Door's locks are protected by a tempered glass relocker system that will activate relockers in the event either lock is attacked. Each relocker is designed to secure itself into solid metal extrusions that form part of the integrated boltwork system in the event it is triggered off, contributing to better protection for the Door's locks.

Each relocker is in turn further protected by Chubb drill resistant barrier materials which contribute towards better drill resisting qualities of the Door.

OPTIONS

Grille Gate

The Door can be fitted with a Grille Gate for ventilation of the bookroom during the day and for control when the Door is open. The Grille Gate is secured by two high security drill-resistant Chubb mortice deadlocks.

Finish

The Door comes with a high quality painted grey primer finish.

Locking

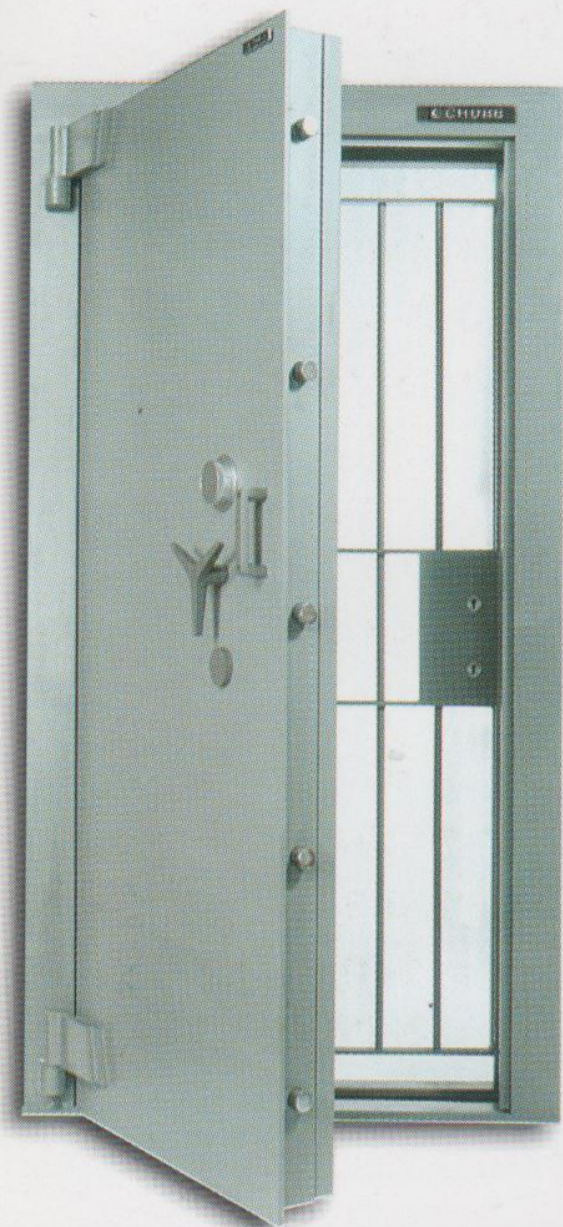
A UL Listed Group 2 Keyless Combination Lock may be fitted in place of the Chubb Keylock.

A dial check lock may be fitted as an option to the Keyless Combination Lock. Other optional locking features also include two or three movement timelocks. A choice of mechanical and digital timelocks are also available.



Above, As with all Chubb security products, you can feel secure with the knowledge that they are backed by Chubb's extensive network of branches providing sales and technical support throughout most states nationwide.

SPECIFICATIONS



CLASS A BOOKROOM DOOR Door

Overall thickness of the Class A Bookroom Door is 5" (127mm). The protective layer consists of a 1/2" (12mm) steel door plate. The door frame is electrically welded to produce a structure of consistent strength. A fire resistant panel is also fitted to the back of the door, contributing to better fire resisting properties.

Boltwork

Each Chubb Class A Bookroom Door comes secured with 5 heavy cylindrical steel bolts on the front edge of the Door. An additional 5 fixed back bolts secure the back edge of the Door. All bolts are 1 1/4" (32mm) in diameter and are chromed

to promote resistance against corrosion. All bolts engage behind solid rebates integrated into the door frame when locked. All bolts are linked into a single integrated boltwork system and are encased within a heavy steel lockcase.

Locking

The Door is secured with a single UL Listed Group 2, 3 - wheel Keyless Combination Lock and a Chubb High Security 9-lever double-bitted Keylock as standard. Both locks operate independently of each other.

The Chubb Class A Bookroom Door's locks are protected by a tempered glass relocker system that will activate relockers in the event either lock is attacked. Each relocker is designed to secure itself into solid metal extrusions that form part of the integrated boltwork system in the event it is triggered off, contributing to better protection for the Door's locks.

Each relocker is in turn further protected by Chubb drill resistant barrier materials which contribute towards better drill and torch resisting qualities of the Door.

OPTIONS

Grille Gate

The Door can be fitted with a Grille Gate for ventilation of the bookroom during the day and for control when the Door is open. The Grille Gate is secured by two high security drill-resistant Chubb mortice deadlocks.

Finish

The Door comes with a high quality painted grey primer finish.

Locking

A UL Listed Group 2 Keyless Combination Lock may be fitted in place of the Chubb Keylock.

A dial check lock may be fitted as an option to the Keyless Combination Lock. Other optional locking features also include two or three movement timelocks. A choice of mechanical and digital timelocks are also available.

CLASS B BOOKROOM DOOR Door

Overall thickness of the Class B door is 4 5/16" (110mm). The protective layer consists of a 3/8" (9mm) steel door plate. The door frame is electrically welded to produce a structure of consistent strength. A fire resistant panel is also fitted to the back of the door, contributing to better fire resisting properties.

Boltwork

Each Chubb Class B Bookroom Door comes secured with 4 heavy cylindrical steel bolts on the front edge of the Door. An additional 4 fixed back bolts secure the back edge of the Door. All bolts are

1 1/4" (32mm) in diameter and are chromed to promote resistance against corrosion. All bolts engage behind solid rebates integrated into the door frame when locked. All bolts are linked into a single integrated boltwork system and are encased within a heavy steel lockcase.

Locking

The Door is secured with a single UL Listed Group 2, 3 - wheel Keyless Combination Lock and a Chubb High Security 7-lever Keylock as standard. Both locks operate independently of each other.

The Chubb Class B Bookroom Door's Keyless Combination Lock is protected by a tempered glass relocker system that will activate a relocker in the event the lock is attacked. The relocker is designed to secure itself into a solid metal extrusion that forms part of the integrated boltwork system in the event it is triggered off, contributing to better protection for the Door's locks.

The relocker is in turn further protected by Chubb drill resistant barrier materials which contribute towards better drill and torch resisting qualities of the Door.

OPTIONS

Grille Gate

The Door can be fitted with a Grille Gate for ventilation of the bookroom during the day and for control when the Door is open. The Grille Gate is secured by two high security drill-resistant Chubb mortice deadlocks.

Finish

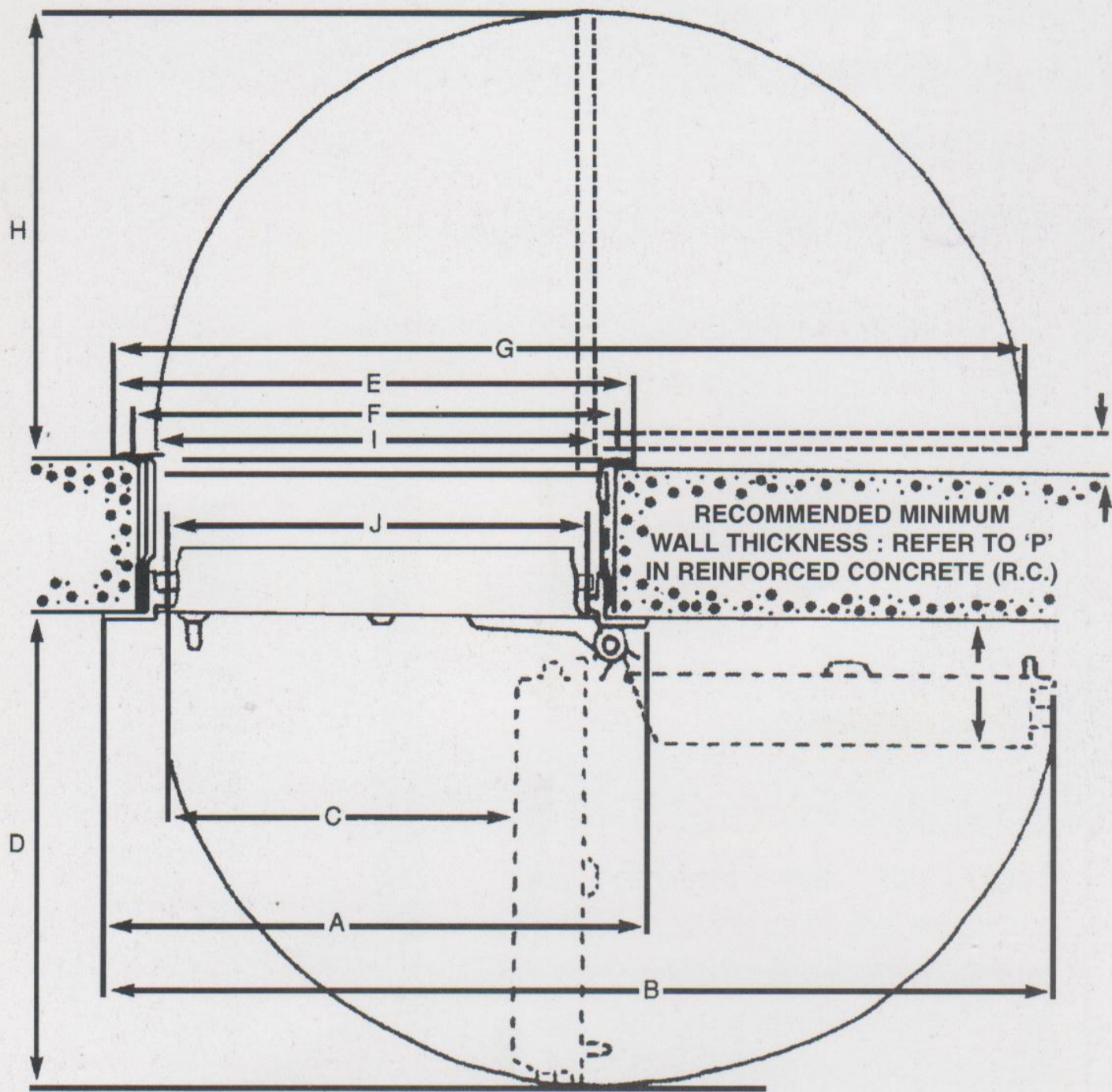
The Door comes with a high quality painted grey primer finish.

Locking

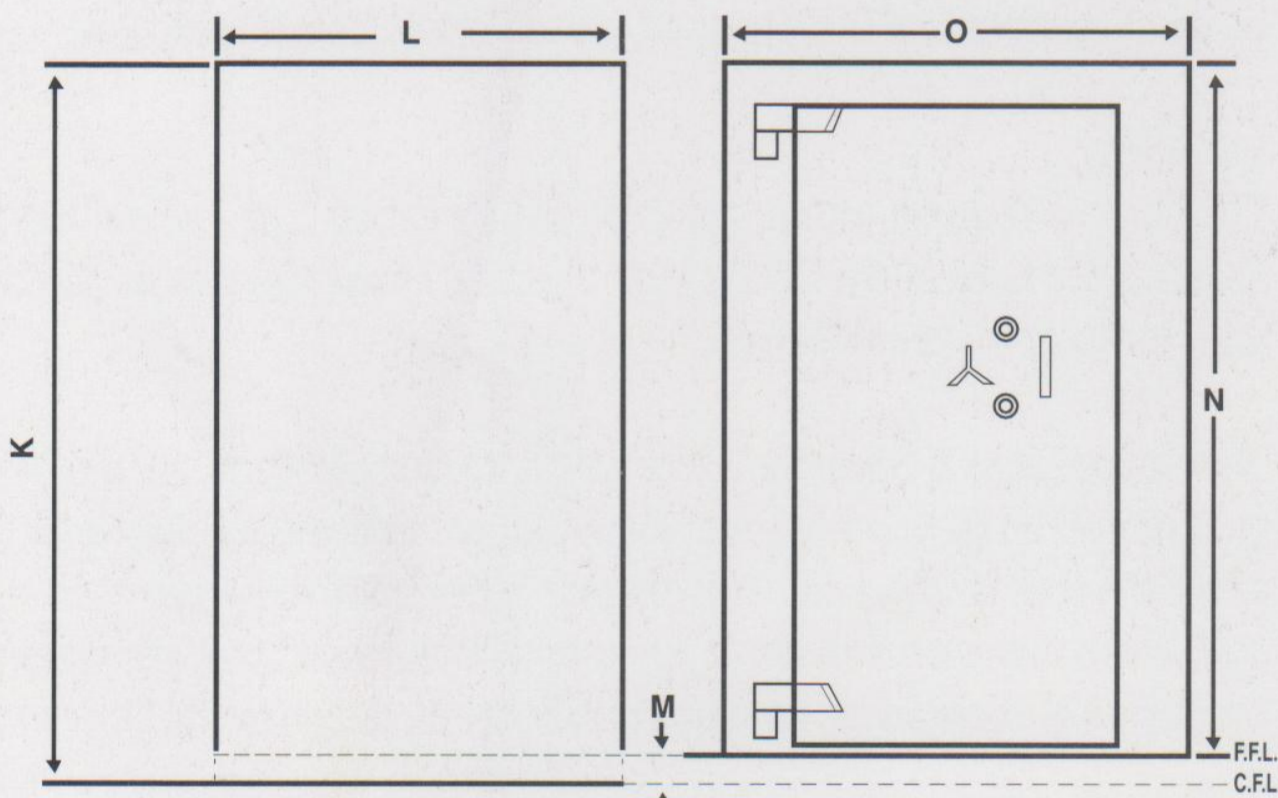
A UL Listed Group 2 Keyless Combination Lock may be fitted in place of the Chubb Keylock.

A dial check lock may be fitted as an option to the Keyless Combination Lock. Other optional locking features also include two or three movement timelocks. A choice of mechanical and digital timelocks are also available.





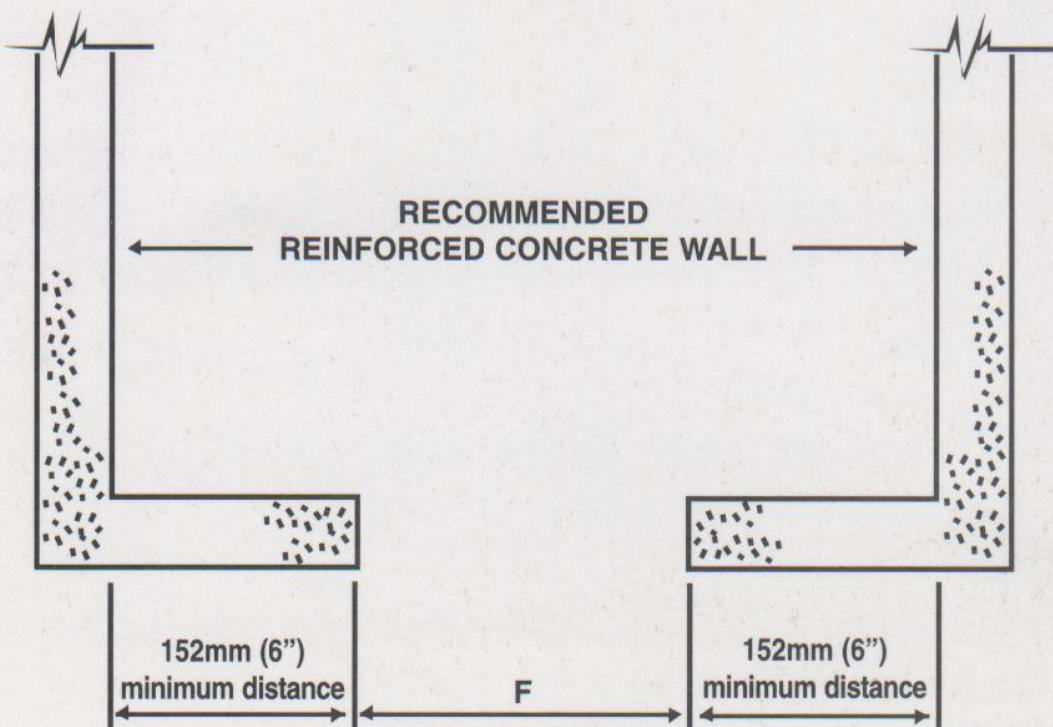
DOOR SPECIFICATIONS



WALL OPENING

FRONT DOOR ELEVATION

F.F.L. - Finish Floor Level
C.F.L. - Concrete Floor level



MINIMUM DISTANCES FROM WALL EDGES

DRAWINGS NOT TO SCALE

Door Description

Reference and Dimensions

Door Specifications

- A Over Door Frame
- B Overall width of door and frame when door is fully open
- C Clear opening. Door open at 90°
- D Projection of door open at 90°
- E Over gate frame
- F Wall opening
- G Overall width of gate when gate is open at 180°
- H Projection of gate open at 90°
- I Gate opening
- J Clear opening of door

Wall Opening

- K Masonry opening - Height
- L Masonry opening - Width
- M Difference b/w C.F.L. and F.F.L.

Front Door Elevation

- N Over door frame-height
- O Over door frame-width
- P Recommended minimum wall thickness (In Reinforced Concrete - R.C.)

Clear opening :

Shipping Particulars

- Case height
- Case width
- Case depth
- Case m³
- Weight (kg)**
- Weight nett
- Weight gross (Inclusive of Packing Case and Grille Gate)

1" Door Standard Quality Door		Class A Bookroom Door		Class B Bookroom Door	
mm	ins	mm	ins	mm	ins
1054	41 ¹ / ₂	1054	41 ¹ / ₂	1005	39 ⁹ / ₁₆
1911	75 ¹ / ₄	1892	74 ¹ / ₂	1892	74 ¹ / ₂
686	27	699	27 ¹ / ₂	716	28 ³ / ₁₆
959	37 ³ / ₄	921	36 ¹ / ₄	916	36 ¹ / ₁₆
1003	39 ¹ / ₂	1003	39 ¹ / ₂	1003	39 ¹ / ₂
940	37	940	37	940	37
1851	72 ⁷ / ₈	1851	72 ⁷ / ₈	1851	72 ⁷ / ₈
910	35 ¹³ / ₁₆	910	35 ¹³ / ₁₆	910	35 ¹³ / ₁₆
838	33	838	33	838	33
803	31 ⁵ / ₈	819	32 ¹ / ₄	819	32 ¹ / ₄
1956	77	1956	77	1956	77
940	37	940	37	940	37
19	3/4	19	3/4	19	3/4
2023	79 ⁵ / ₈	2019	79 ¹ / ₂	1988	78 ¹ / ₄
1054	41 ¹ / ₂	1054	41 ¹ / ₂	1005	39 ⁹ / ₁₆
229	9	152	6	152	6
74 ¹ / ₂ "(1892mm)H x 31 ⁵ / ₈ "(803mm)W		74 ¹ / ₂ "(1892mm)H x 32 ¹ / ₄ "(819mm)W		74 ¹ / ₂ "(1892mm)H x 32 ¹ / ₄ "(819mm)W	
438	17 ¹ / ₄	438	17 ¹ / ₄	438	17 ¹ / ₄
1156	45 ¹ / ₂	1156	45 ¹ / ₂	1156	45 ¹ / ₂
2115	83 ¹ / ₄	2115	83 ¹ / ₄	2115	83 ¹ / ₄
1.07m ³		1.07m ³		1.07m ³	
667 kg		344 kg		240 kg	
789 kg		428 kg		283 kg	

Distributor/Dealer Details

When ordering, please state :

- a) Wall thickness.
- b) Type of wall e.g. brick, R.C. etc.
- c) Hung of Door required.
- d) If to be installed in multi-storey building, state floor/level.
- e) Floor loading.



SIRIM
 MS ISO 9002
 Registration No : AR 0238

Note : The Chubb Security Door Range is designed primarily against physical attack. For recommended storage of paper documents and computer media, ask for details of Chubb Fire Resistant Protection Cabinets or Chubb Data Cabinets.

Note : Chubb policy is one of constant improvement. We reserve the right to alter any specification contained in this publication without prior notification. Variance ± 5mm.