

Europlanet Range

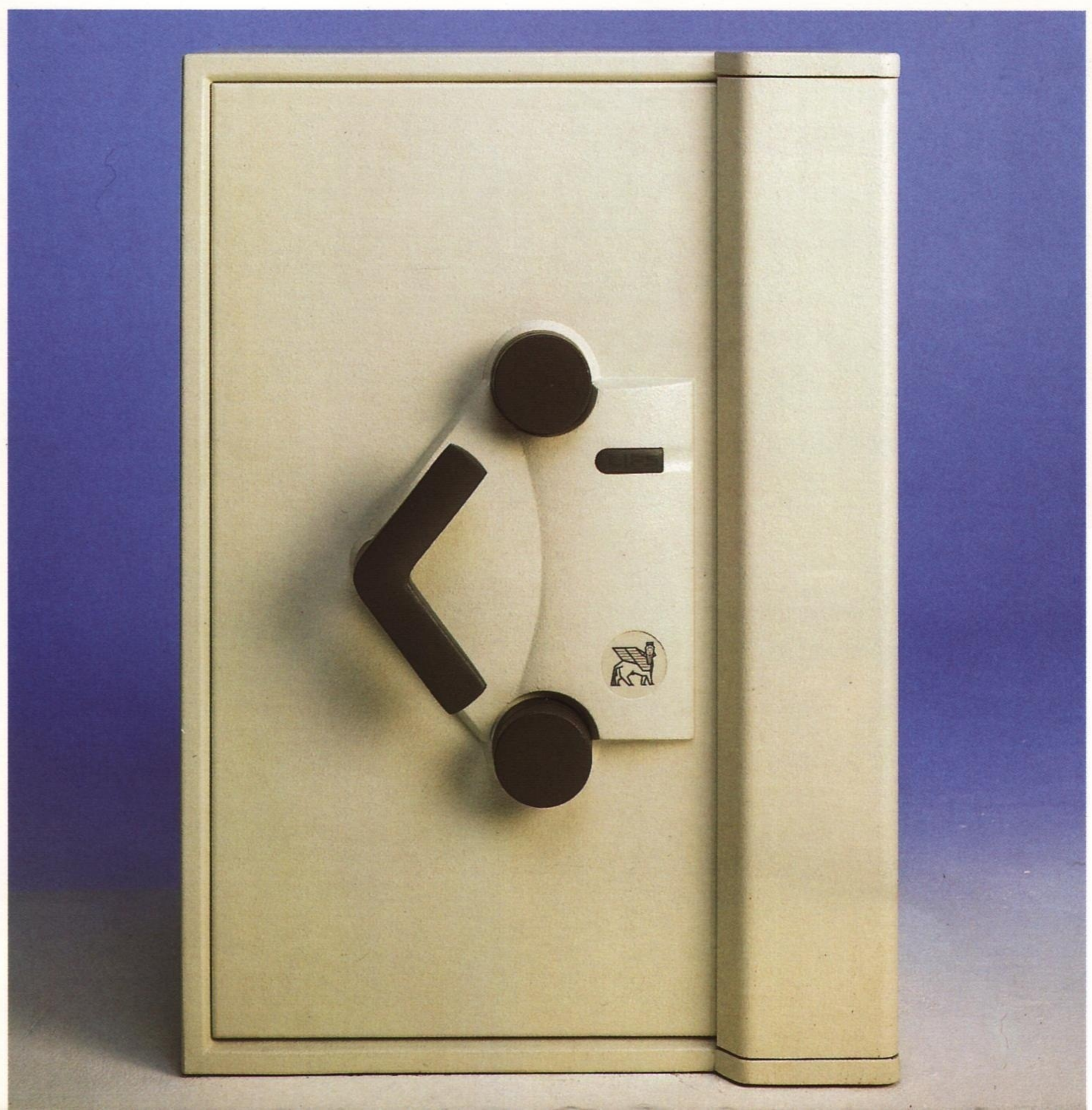
	Grade III	Grade IV
Suggested overnight cash insurance rating	£35000	£60000

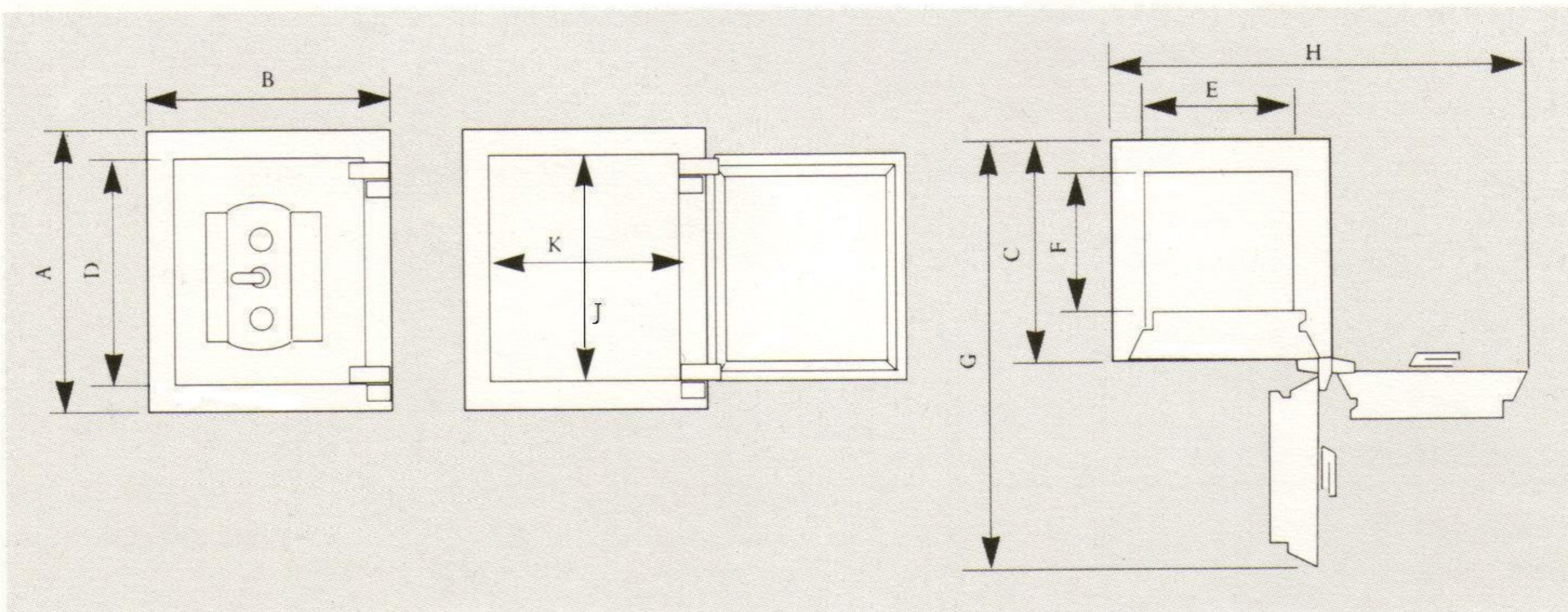
Chubb safes's unique Ellox range of barrier material provides lighter-weight safes, whilst still offering the ultimate level of protection for the Europlanet range. Ellox is polymer, reinforced with near diamond-hard nuggets, offering a high level of attack resistance. Europlanet safes are particularly suitable where floor loading capacities are limited but a high level of security is still required.

The Europlanet range successfully passed every test required in each security grade and is certified by leading authorities such as Verband der Sachversicherer (Vds) and ECB.S certified. The distinctive Europlanet design blends with both traditional and modern decor.

Security features include:

- A comprehensive range of sizes available in three security levels
- Key and / or combination locking
- Electronic, time and time delay locks available
- Modular boltwork design
- Relocking devices fitted on all grades
- Provision for electronic alarm detectors if required
- All safes prepared for secure anchoring to floors





Europlanet Dimensions

Size	Size	Size	Size	Size
150	250	400	500	800
		*	*	*
Grade III	Grade III	*	*	*
*	*	Grade IV	Grade IV	Grade IV

External Dimensions (mm) 外部尺寸

Height	高度	A	756	1188	846	1330	1850
Width	寬度	B	536	536	839	839	839
Depth (包含把手凸出) 深度		C	603	603	833	833	833

Internal Dimensions (mm) 內部尺寸

Height	高度	D	704	1136	736	1220	1740
Width	寬度	E <td>484</td> <td>484</td> <td>729</td> <td>729</td> <td>729</td>	484	484	729	729	729
Depth	深度	F <td>400</td> <td>400</td> <td>560</td> <td>560</td> <td>560</td>	400	400	560	560	560

Total depth with door at 90°		G	1005	1005	1563	1563	1563
------------------------------	--	---	------	------	------	------	------

Total Width with door fully open		H	1015	1015	1613	1613	1613
----------------------------------	--	---	------	------	------	------	------

Clear opening Height		J	670	1102	702	1186	1706
----------------------	--	---	-----	------	-----	------	------

Width		K	450	450	695	695	695
-------	--	---	-----	-----	-----	-----	-----

Projection of Handle 手把凸出深度	ALL 77mm						
-----------------------------	----------	--	--	--	--	--	--

Bolt length			630	930	630	930	1860
-------------	--	--	-----	-----	-----	-----	------

Bolt top and bottom					•	•	•
---------------------	--	--	--	--	---	---	---

No of Bolts around Door							
-------------------------	--	--	--	--	--	--	--

Internal Volume (litres) 內容積(公升)			136	220	300	498	710
----------------------------------	--	--	-----	-----	-----	-----	-----

Nett Weight kg 淨重(公斤)			245kg	355kg	675kg	945kg	1250kg
-----------------------	--	--	-------	-------	-------	-------	--------

Fittings

Shelves			•	•	•	•	•
---------	--	--	---	---	---	---	---

Lockable Cupboards			•	•	•	•	•
--------------------	--	--	---	---	---	---	---

Full Width Drawer							
-------------------	--	--	--	--	--	--	--

Half Width Drawers							
--------------------	--	--	--	--	--	--	--

